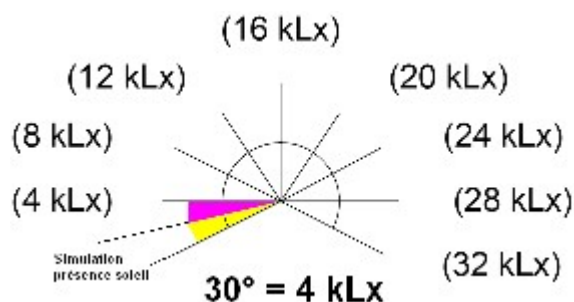


Designation	Thermosunis Indoor Wirefree RTS
Reference	9013708
Range	Inteo

## FUNCTIONS

Interior autonomous sensor on battery that enables to measure the sun and temperature level.  
 This sensor work like a transmitter, giving up-down-stop orders.  
 12 transmitters and Sunis Indoor can be memorised in one motor.  
 As many motors as wished can be motorised in one sensor.  
 The sun and temperature thresholds can be set directly on the sensor with 2 potentiometers.  
SUN Potentiometer



3 possible modes :

- Mode 1
- Mode 2
- Mode 3

3 functions :

- OFF
- Sun only
- Sun & Temperature

### TEMPORISATION

#### Variable delaytime

The downcounter „variable delaytime“ starting after exceeding the threshold 100% permanently for 5 minutes at the same time when sending the order “go to sun position”

Every minute the threshold will be checked.

Measured value below 50% threshold will not be counted.

Measured value 50% or above will be counted.

If 8 counts of >= 50%.are complete, the delaytime will be reduced for 1 minute.

The minimum of delaytime (15 minutes) is reached, if sunshine happens 2 hours (permanently or added

R&D		QUALITY		EDITOR	DENIAU
Name :		Name :		Name :	Cedric
Date :		Date :		Date :	23/02/2009

Time of sunshine	Variable delay time
5 minutes at 100% threshold	30 minutes
1 mesure/ minute	Start counting the delay time
8 counts	29
16 counts	28
24 counts	27
32 counts	26
40 counts	25
48 counts	24
56 counts	23
64 counts	22
72 counts	21
80 counts	20
88 counts	19
96 counts	18
104 counts	17
112 counts	16
120 counts	15
> 120 counts	15
Counter Treshold $\geq$ 50%	Downcounter 30 ... 15 minutes

### Sun function

	Normal mode	Demo mode
Sun appearance	5 min	5 sec
Sun disappearance	30-15 min	30 sec

### Sun + temperature function

	Normal mode	Demo mode
Sun + temperature appearance	5 min	5 sec
Sun and/or temperature disappearance	30-15 min	30 sec

## FUNCTIONING

### SUN function

	Mode 1	Mode 2	Mode 3
SUN APPEARS	Go to sensor level	Go to "My" Position	Go to lower end-limit
SUN DISAPPEARS	Go to upper end-limit	Go to upper end-limit	Go to "My" position

### SUN + temperature function

	Mode 1	Mode 2	Mode 3
SUN + TEMPERATURE	Go to sensor level	Go to "My" Position	Go to lower end-limit
NO SUN OR SUN + NO TEMPERATURE	Go to upper end-limit	Go to upper end-limit	Go to "My" position

R&D Name : Date :		QUALITY Name : Date :		EDITOR Name : Date :	DENIAU Cedric 23/02/2009
-------------------------	--	-----------------------------	--	----------------------------	--------------------------------

## COMPATIBILITIES AT THE 23/02/2009

BG	Product	Compatibility			
		ISS	IST mode 1	IST mode 2	IST mode 3
Shutter & Awning	Solus radio	x	x	/	/
	Oximo RTS	x	x	x	/
	LT 50 RTS	x	x	/	/
	Ipso RTS	x	x	/	/
	Altus 40 RTS	x	x	x	/
	Altus 50/60 RTS	x	x	x	/
	Centralis indoor RTS	x	x	/	/
	platine RTS	x	x	/	/
	Récepteur universel RTS	x	x	/	/
	Centralis UNO RTS	x	x	/	/
	Orea RTS	!	!	!	/
	Récepteur contact sec	x	x	/	/
	Motor controller 4AC RTS	/	/	/	/

R&D Name : Date :	QUALITY Name : Date :	EDITOR Name : Date :	DENIAU Cedric 23/02/2009
-------------------------	-----------------------------	----------------------------	--------------------------------

## Compatibility

BG	Product	ISS	IST mode 1	IST mode 2	IST mode 3
Window & Blind	Roll Up wirefree RTS (LT30R)	/	/	!	!
	Sonesse 30 RTS (ST 30 RTS)	/	/	x	!
	Sonesse 50 RTS	/	/	x	!
	Centralis UNO RTS Orienta	!	!	!	!
	Motor controller 4DC/DCE RTS	/	/	/	/
	Récepteur Modulis RTS M/MU	/	/	/	/
	Récepteur Orienta RTS M/MU	/	/	/	/
	Récepteur SL7070 Orienta (Centralis indoor RTS VB)	!	!	!	!
	Glystro 50 RTS 433	/	/	x	!
	Glydea RTS 433	/	/	x	!
	Tilt wirefree RTS	/	/	!	!
	Altea RTS	x	x	x	x
	Integreted DC RTS Receiver (RTS 25 DC)	!	!	x	x
	Power Pleat	!	!	x	x
	DC RTS Receiver (Module RTS DC)	!	!	x	x
	Cordlift wirefree RTS (CT32R)	/	/	x	!
	Power RTS 2.5DC	/	/	x	x
	Power 1x2,5 DC RTS Receiver	x	x	x	x

Wirefree RTS motors for Window and Blind applications are compatible, but lower too much the battery lifetime and are therefore highly unrecommended.

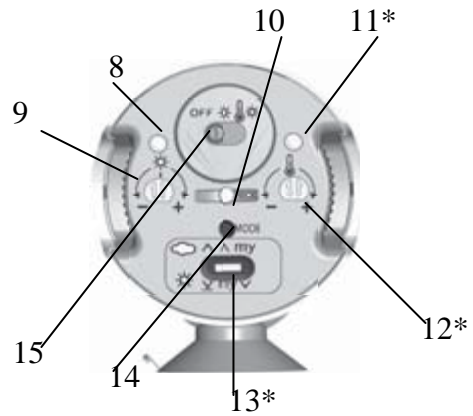
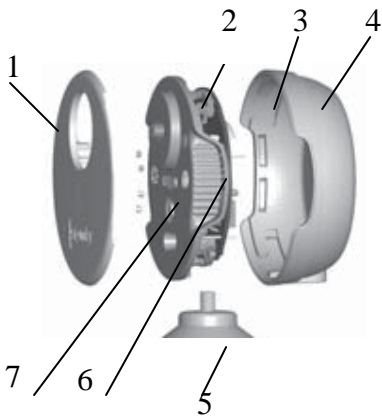
R&D Name : Date :	QUALITY Name : Date :	EDITOR Name : Date :	DENIAU Cedric 23/02/2009
-------------------------	-----------------------------	----------------------------	--------------------------------

		Application												
		Roller Shutter	Roller Shutter with tilting slates	K7	LAA	Winter Garden	Exterior Screen	Roller blind (Interior)	Interior Venetian	Exterior Venetian	Curtain	Roman blind	Pleated blind	Pinoleum
ISS		✓	✗	! See shaded area	✓	✓	✓	✗ ! Fixed on window Fixed on window frame and behind the product	✗ ! Fixed on window Fixed on window frame and behind the product	✗	✗	✗ ! Fixed on window Fixed on window frame and behind the product	✗ ! Fixed on window Fixed on window frame and behind the product	✗
		✓	✗	! See shaded area	✓	✓	✓	✗ ! Fixed on window Fixed on window frame and behind the product	✗ ! Fixed on window Fixed on window frame and behind the product	✗	✗	✗ ! Fixed on window Fixed on window frame and behind the product	✗ ! Fixed on window Fixed on window frame and behind the product	✗
	 One sensor can be used for multi application	✓	✓	! See shaded area	✓	✓	✓	✓	✓	✗	✓	✓	✓	✗
IST		✗	✓	✗	✗	✗	✗	!	✓	✗	!	!	!	✗
		✗	✓	✗	✗	✗	✗	!	✓	✗	!	!	!	✗

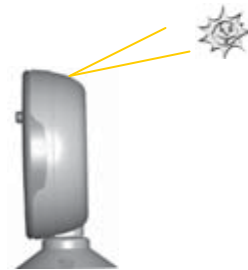
R&D Name :	QUALITY Name :	EDITOR Name :	DENIAU Cedric
Date :	Date :	Date :	23/02/2009

## DESCRIPTION

- 1 Front cover
- 2 Sun sensor
- 3 Rear cover
- 4 Sun detection zone
- 5 Suction cup
- 6 Battery bracket + battery
- 7 Sensor bracket
- 8 Sunshine LED
- 9 Sun threshold setting control
- 10 Programming button (PROG)
- 11 Temperature LED\*
- 12 Temperature threshold setting control\*
- 13 Function selector\*
- 14 Mode button
- 15 ON/OFF button




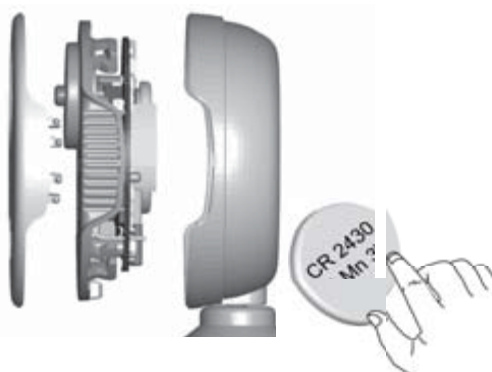
## INSTALLATION



R&D		QUALITY		EDITOR	DENIAU
Name :		Name :		Name :	Cedric
Date :		Date :		Date :	23/02/2009

## TECHNICAL SPECIFICATIONS

Size (mm)	Diameter = 55	Thickness = 21
Size with Suction cup (mm)	Depth = 27	Altitude = 61
Fixation	Suction cup diameter = 30 mm Height = 6mm M4	
Weight of product (g)	32	
Size package	Inteo RTS height: 90 x breadth 92 x depth 40mm	
Weight of product, Package and 3 Leaflets (g)	104	
Temperature (use) (C°)	0 to +60	
Temperature (store) (C°)	-30 to +80 (product worked during tests in this Temperature range)	
Temperature (scale) (C°)	+10 to +50	
Sun Scale [kLux]	4 to 32	
Min. adjust. Sun Level [Lux]	5000	
Night Level [Lux]	1000	
Radio	SOMFY RTS U80 Protocol Frequenz 433,42 Mhz	
Radio Range	Transmitter for link within a room ; range in free field: 150m	
RTS Orders used	DOWN; STOP; STOP/IP; UP <b>No Sensor Orders !</b> RTS Orders like Telis !	
Index protection rating	IP 31	
Protection category	III	



Battery type	CR 24 30 3V Lithium Battery Nominal Capacity 270mAh Diameter 30mm Thickness 2,4mm Typical voltage new battery 3,2V
Battery empty indication / Battery Lifetime	At 2,40V Battery voltage Yellow Light (Red and Green LED are switched when MODE button is pressed) / 2 Years Battery Lifetime

R&D Name :	QUALITY Name :	EDITOR Name :	DENIAU Cedric
R&D Date :	QUALITY Date :	EDITOR Date :	23/02/2009